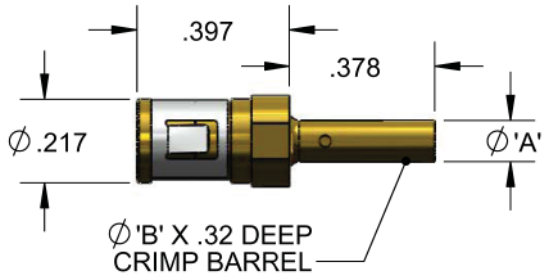


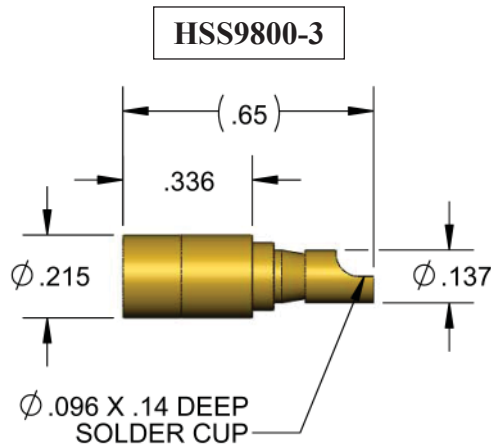
9800 SERIES SOCKET- ACCEPTS Ø2.50mm (0.098) MATING PIN

CRIMP



PART NO.	'A'	'B'
HSC9800-1	.107	.077
HSC9800-2	.122	.059

SOLDER CUP



POWER TERMINAL

