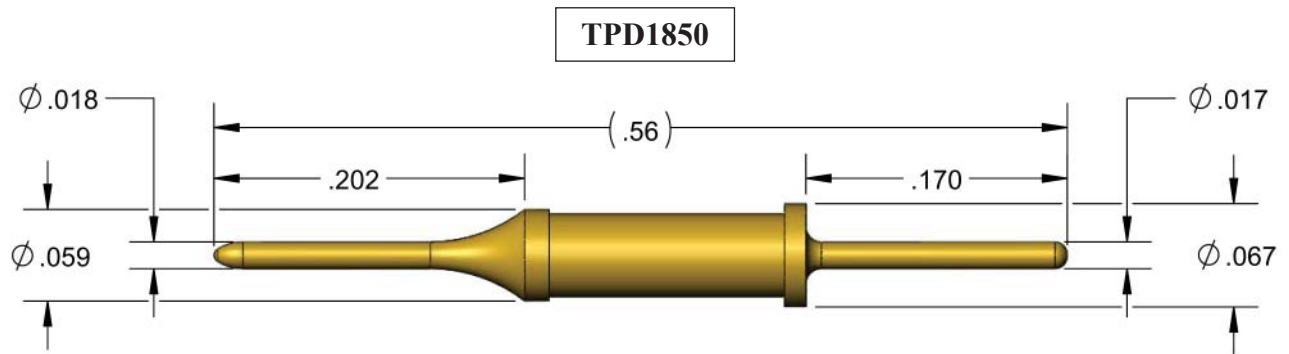


1800 SERIES PIN - Ø0.45mm (0.018)

DIP SOLDER



SOLDER CUP

