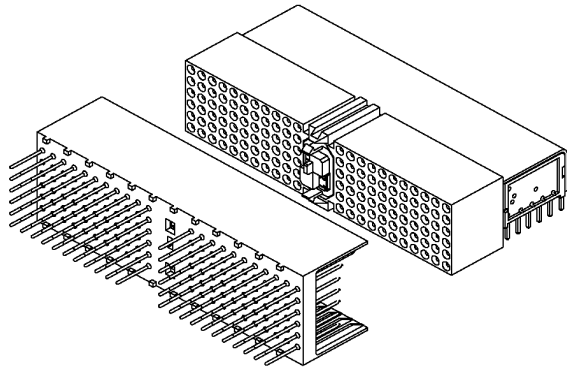
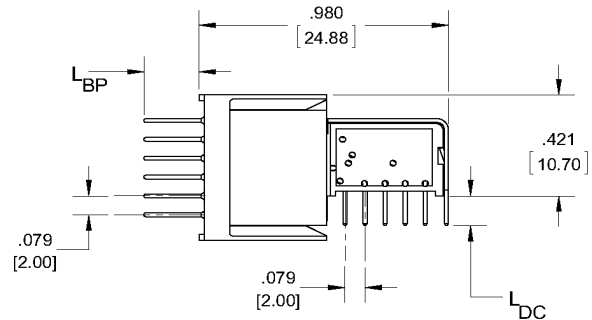


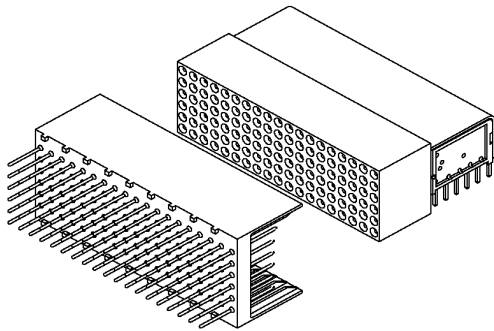
Type "A" Style



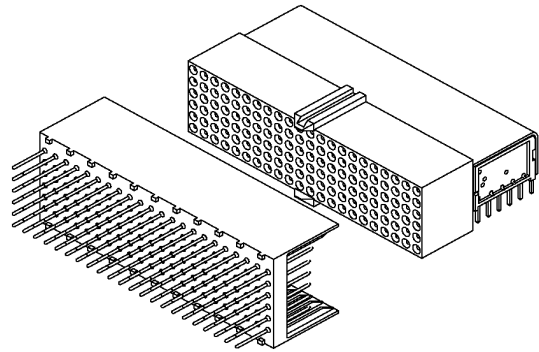
2mm Connector Mated Pair



Type "B" Style



Type "AB" Style



General Specification	311P Series = NASA GSFC S-311-P-822					
3U/6U Form Factor	P1/P4	P2/P5	P3	J1/J4	J2/J5	J3
Part Number Reference	HKC110BCA	HKC110BCB	HKC095BCB	HKC110DCA	HKC110DCB	HKC095DCB
Location/Contact Gender	Backplane/Male Pin			Daughter Card/Hyperboloid Socket		
Number of Contacts	110 signal total 22 ground		95 Signal total 19 Ground	110 signal total 22 ground		95 Signal total 19 Ground