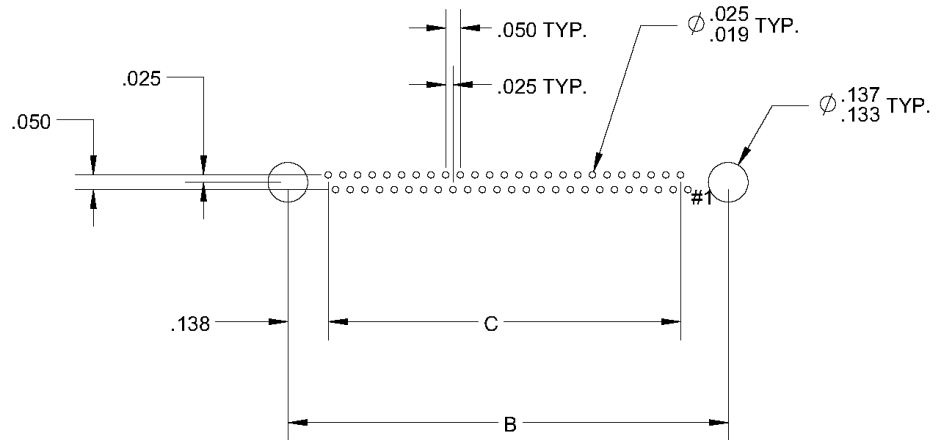


**RECOMMEND PWB PATTERNS**  
**RECEPTACLE- DIP SOLDER BOARD MOUNTING**  
*AS VIEWED FROM THE CONNECTOR SIDE*

FDE 2- ROW  
DIP SOLDER STRAIGHT



FDE 2-ROW  
DIP SOLDER RIGHT ANGLE

