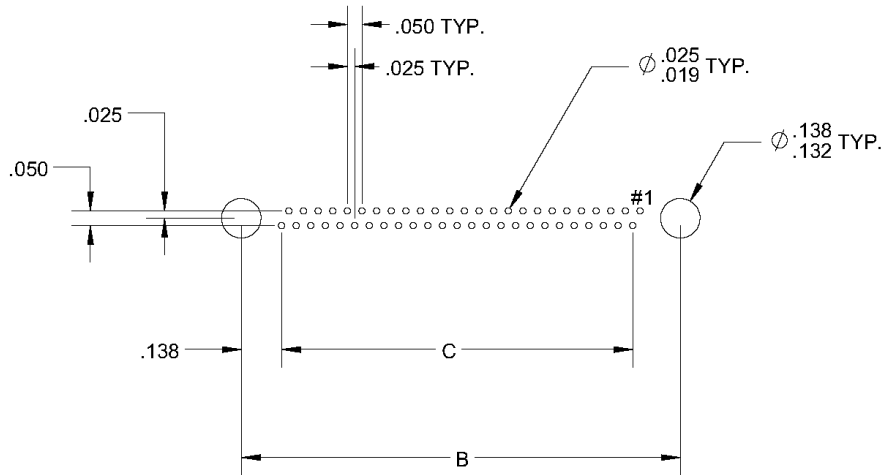


RECOMMENDED PWB PATTERNS PLUG - DIP SOLDER BOARD MOUNTING *AS VIEWED FROM THE CONNECTOR SIDE*

MDE 2- ROW
DIP SOLDER STRAIGHT



MEE 2-ROW
DIP SOLDER RIGHT ANGLE

