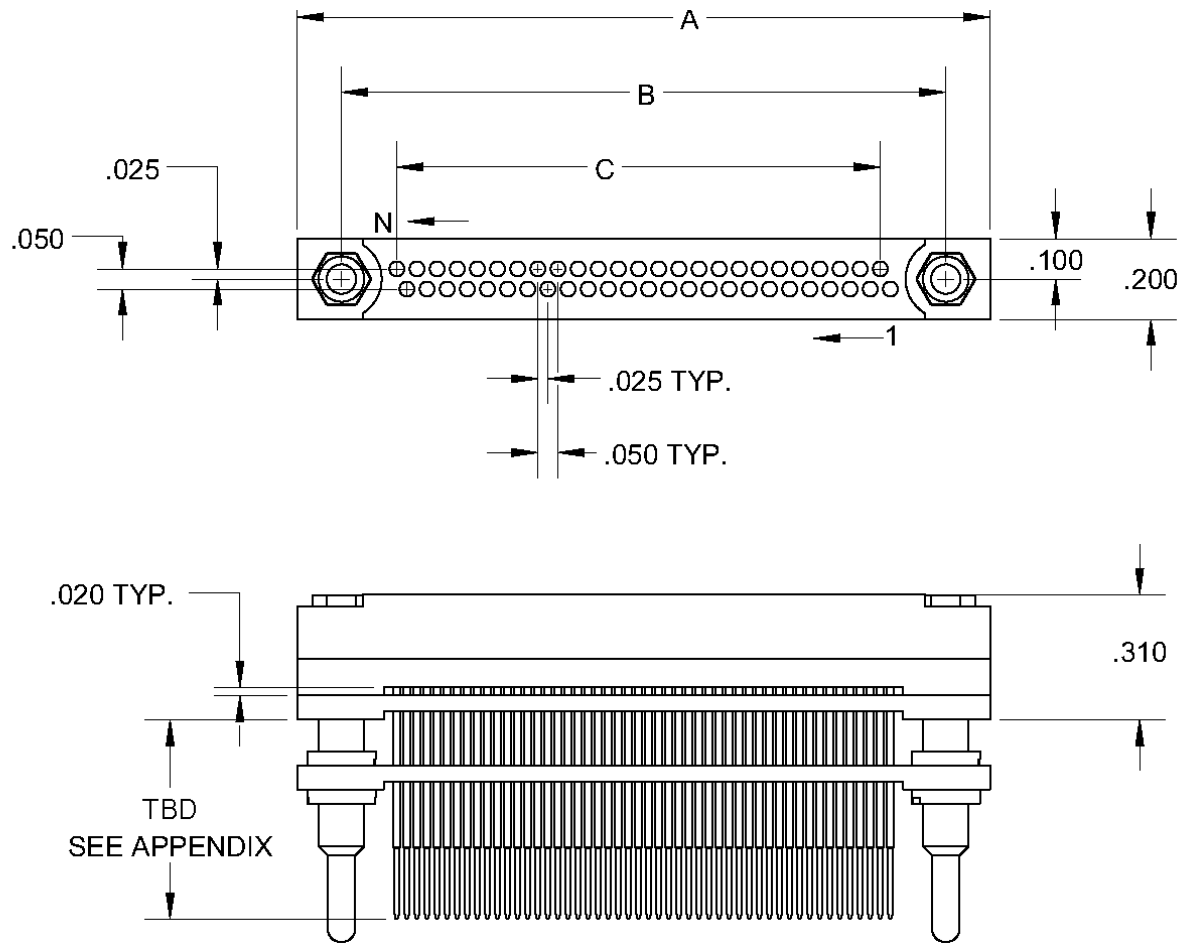


### RECEPTACLE, STACKING STYLE FAE9



'N' Contacts	A	B	C
010	.720	.500	.200
020	.970	.750	.450
030	1.220	1.000	.700
040	1.470	1.250	.950
050	1.720	1.500	1.200
060	1.970	1.750	1.450
070	2.220	2.000	1.700
080	2.470	2.250	1.950
090	2.720	2.500	2.200
100	2.970	2.750	2.450

REFER TO APPENDIX FOR TERMINATION  
DETAILS, HARDWARE STYLES, POLAR-  
IZATION CHART, AND PWB PATTERNS