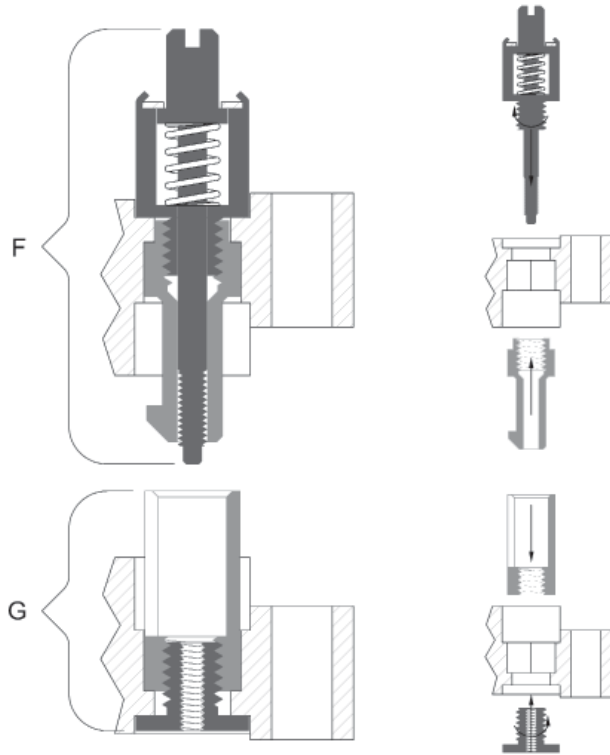


F & G HARDWARE DETAIL JACKLESS KEYABLE LOCKING



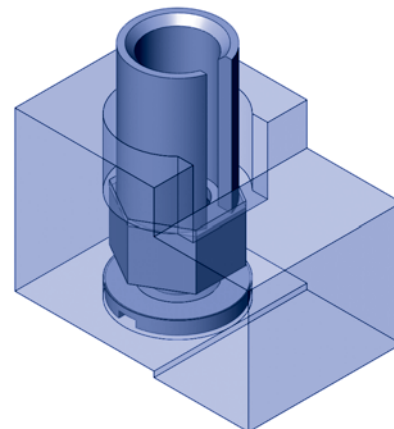
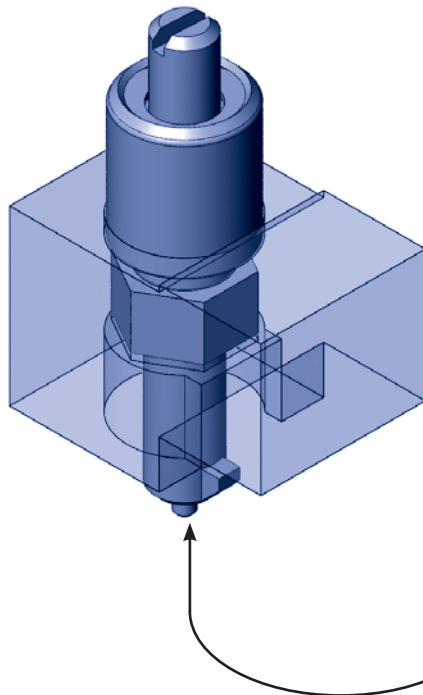
F & G Combines All of The Most Desirable Attributes of Proven Military Hardware.

JACKLESS - A new spring loaded jacket design allows the user to fully mate the connectors before screwing down the hardware. Most traditional designs do not allow a full mate, limiting the progress to 1 turn per screw per side, repeated until locked.

KEYABLE - The interlocking pieces incorporate a hex body with a fixed slot and key. 'F' hardware contains the key and 'G' hardware contains the slot. Both insulators for F and G employ a hex recess to accommodate up to 36 polarization options for 2 pairs (see details on following page).

LOCKING - For high stress and vibration environments, connectors are fully locked for uninterrupted operation.

F Hardware (Assembled)



G Hardware (Assembled)