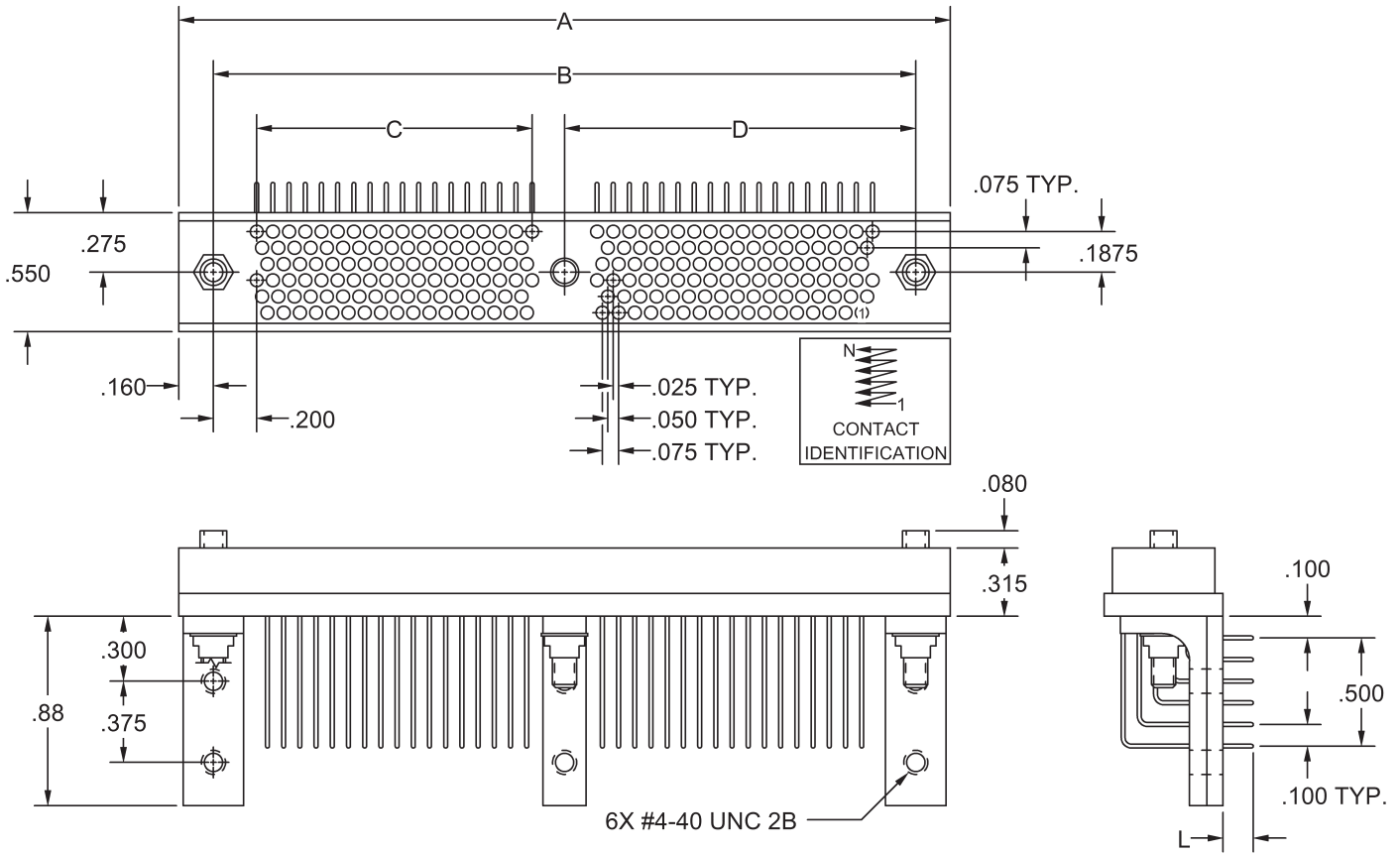


RECEPTACLE, RIGHT ANGLE  
STYLE FEE



SIZE	A	B	C	D	SIZE	A	B	C	D
304	4.770	4.450	1.875	2.225	460	6.720	6.400	2.850	3.200
316	4.920	4.600	1.950	2.300	472	6.870	6.550	2.925	3.275
328	5.070	4.750	2.025	2.375	484	7.020	6.700	3.000	3.350
340	5.220	4.900	2.100	2.450	496	7.170	6.850	3.075	3.425
352	5.370	5.050	2.175	2.525	508	7.320	7.000	3.150	3.500
364	5.520	5.200	2.250	2.600	520	7.470	7.150	3.225	3.575
376	5.670	5.350	2.325	2.675	532	7.620	7.300	3.300	3.650
388	5.820	5.500	2.400	2.750	544	7.770	7.450	3.375	3.725
400	5.970	5.650	2.475	2.825	556	7.920	7.600	3.450	3.800
412	6.120	5.800	2.550	2.900	568	8.070	7.750	3.525	3.875
424	6.270	5.950	2.625	2.975	580	8.220	7.900	3.600	3.950
436	6.420	6.100	2.700	3.050	592	8.370	8.050	3.675	4.025
448	6.570	6.250	2.775	3.125	604	8.520	8.200	3.750	4.100

REFER TO APPENDIX FOR  
TERMINATION DETAILS,  
HARDWARE STYLES, PO-  
LARIZATION CHART, AND  
PWB PATTERNS