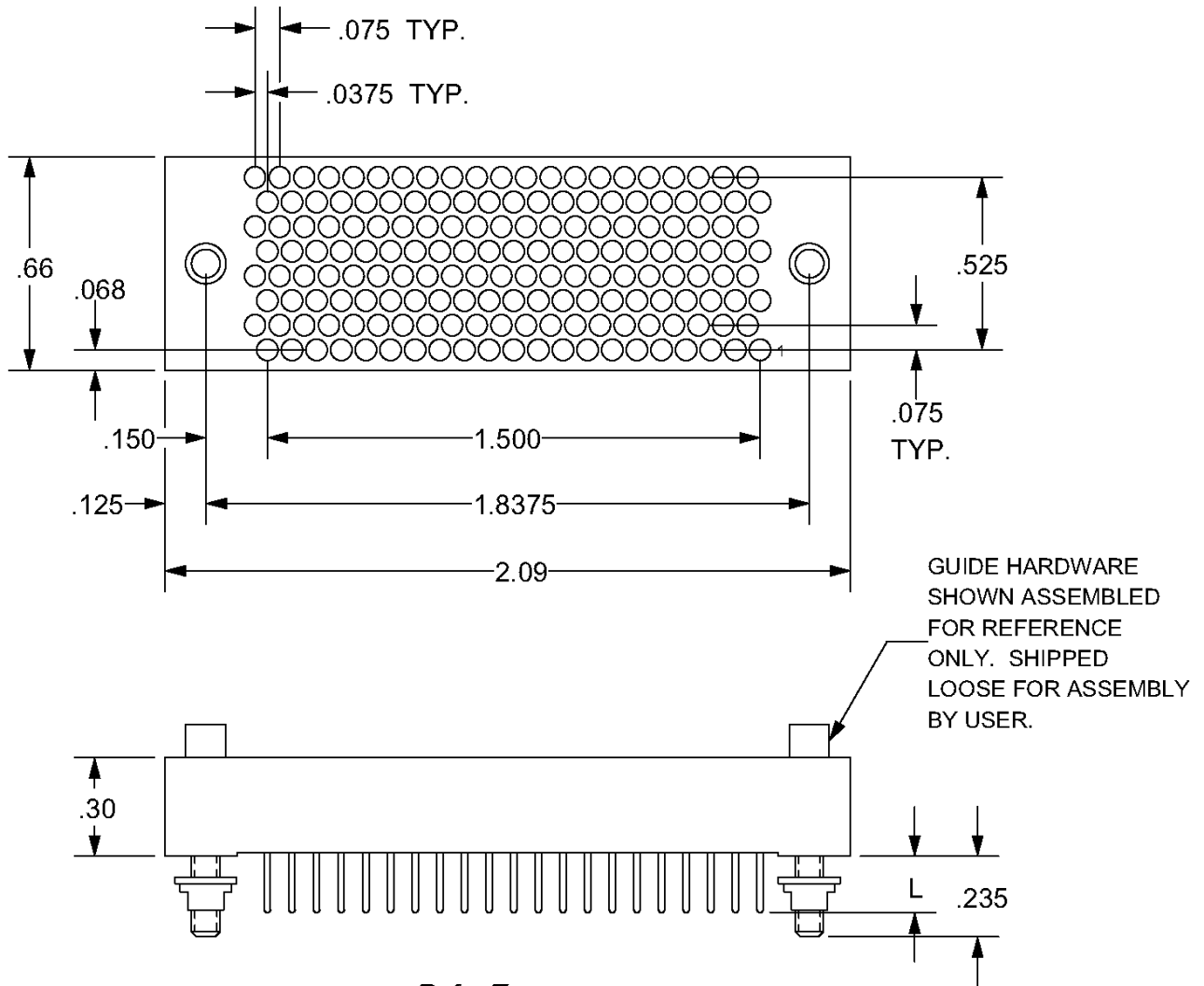


**HMM168 STYLE FDE, FSE
RECEPTACLE, STRAIGHT**



*Refer To
Appendix For
Terminations
Hardware Styles
and Polarizing
Arrangements*