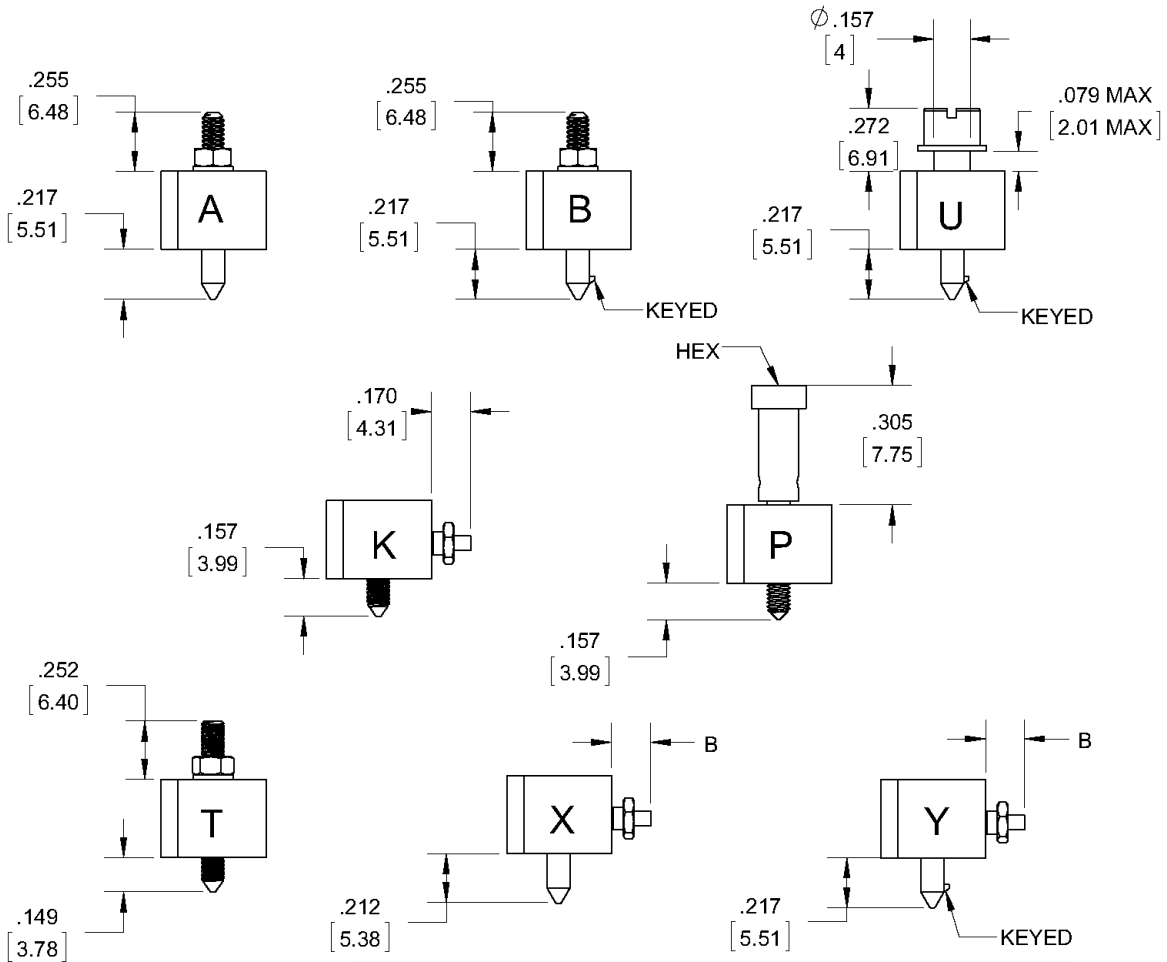
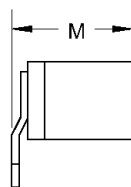


**HARDWARE STYLES
GUIDE PINS, 4 & 5 ROW
HARDWARE CONFIGURATION SHOWN ASSEMBLED
PIN SHIELD OPTIONAL**



DIMENSION B				
TERMINAL STYLE (E)	4 ROW	5 ROW	4 ROW W/SHIELD	5 ROW W/SHIELD
3	.203 [5.16]	.232 [5.89]	.168 [4.26]	.236 [5.91]
2	.164 [4.16]	.153 [3.89]	.168 [4.26]	.236 [5.91]



CONNECTOR W/SHIELD	M
4 ROW	.541 [13.74]
5 ROW	.661 [16.78]