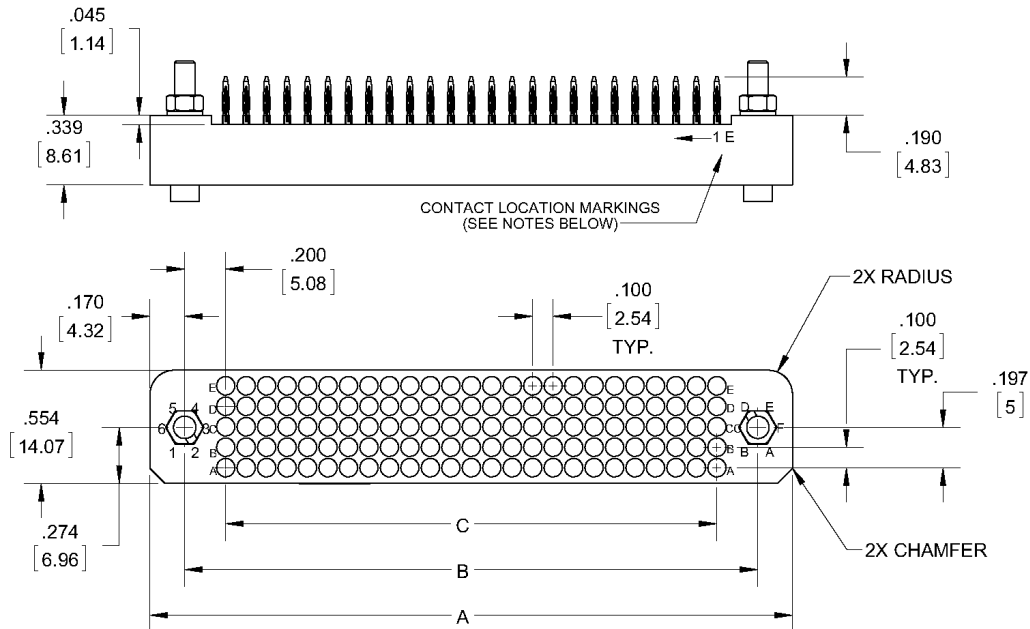


**SOCKET, COMPLIANT  
STYLE FV  
\*STYLE SV**



**\*CONTACT LOCATION MARKING NOTES**

- PLUG (STYLE S) HAS MARKINGS ON CHAMFER SIDE
- RECEPTACLE (STYLE F) HAS MARKINGS ON RADIUS SIDE
- FOR REVERSE SEE ORDERING CHART

**REFER TO APPENDIX FOR TERMINATION DETAILS,  
HARDWARE STYLES, AND PWB PATTERNS**

No. of Contacts	A	B	C
125	3.140 [79.76]	2.800 [71.12]	2.400 [60.96]
140	3.440 [87.38]	3.100 [78.74]	2.700 [68.58]
160	3.840 [97.54]	3.500 [88.90]	3.100 [78.74]
200	4.640 [117.86]	4.300 [109.22]	3.900 [99.06]
230	5.240 [133.10]	4.900 [124.46]	4.500 [114.30]
240	5.440 [138.18]	5.100 [129.54]	4.700 [119.38]