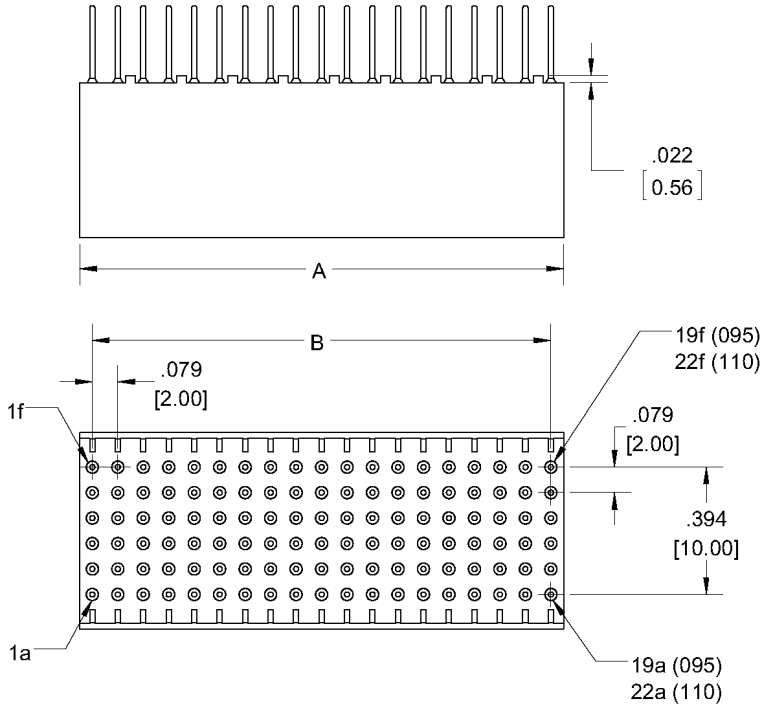
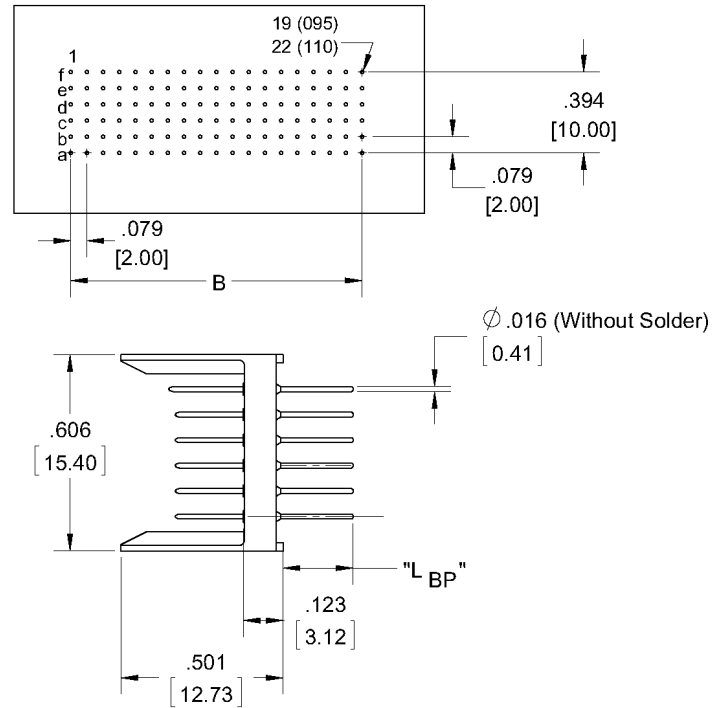


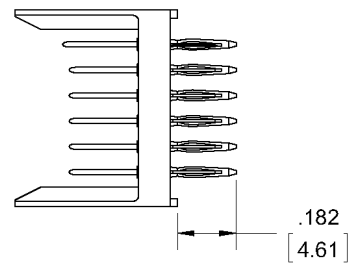
**BACKPLANE, TYPE "B"
HKC[095,110]BCB**



PCB LAYOUT



COMPLIANT



NOTE:

Recommended PCB Metrics
Solder

- Diameter of Drilled Hole: $\text{Ø}0.8\text{mm} \pm .02\text{mm}$
- Diameter of Finished Plated-through Hole: $\text{Ø}0.7\text{mm} \pm .05\text{mm}$

Compliant

- Diameter of Drilled Hole: $\text{Ø}0.8\text{mm} \pm .02\text{mm}$
- Diameter of Finished Plated-through Hole: $\text{Ø}0.7\text{mm} \pm .05\text{mm}$

SIZE	A	B
095	1.495 [37.98]	1.417 [36.00]
110	1.731 [43.98]	1.654 [42.00]