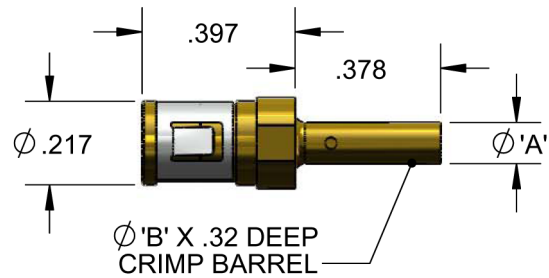


9800 SERIES SOCKET-ACCEPTS Ø2.50 mm (0.098) MATING PIN

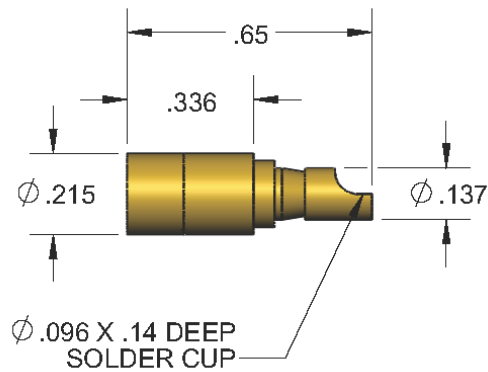
CRIMP

PART NO.	'A'	'B'	AWG Wire
HSC9800-1	.107	.077	14-20
HSC9800-2	.122	.059	18-22



SOLDER CUP

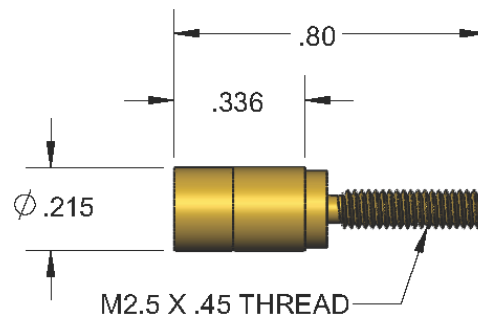
HSS9800-3



Accepts up to 12 AWG Wire

THREADED

HST9800-2



OTHER TERMINATION STYLES
AVAILABLE.
CONTACT FACTORY FOR
AVAILABILITY.