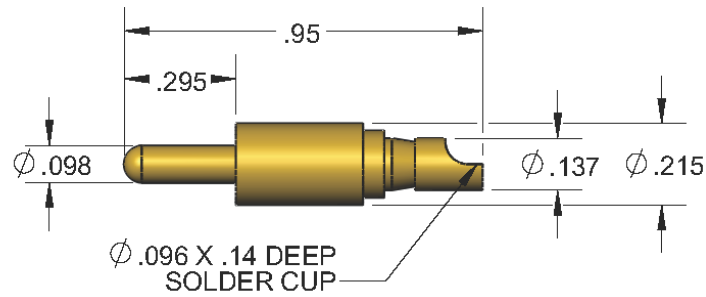


9800 SERIES PIN - Ø2.50 mm (0.098)

SOLDER CUP

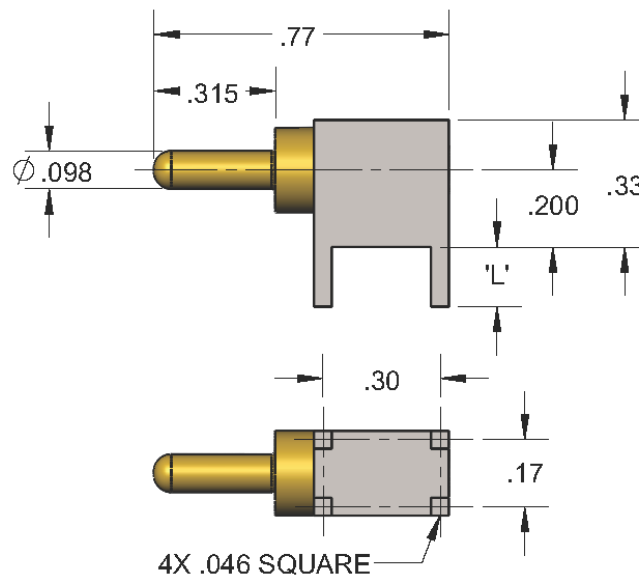
TPS9801



Accepts up to 12 AWG Wire

RIGHT ANGLE PWB

PART NO.	'L'
TPE0980-1	.155
TPE0980-2	.100



OTHER TERMINATION STYLES AVAILABLE.
CONTACT FACTORY FOR AVAILABILITY.