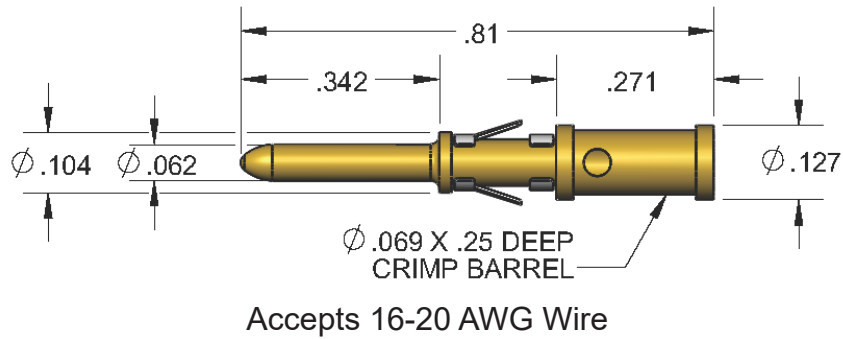


6200 SERIES PIN - Ø0.062 (1.57 mm)

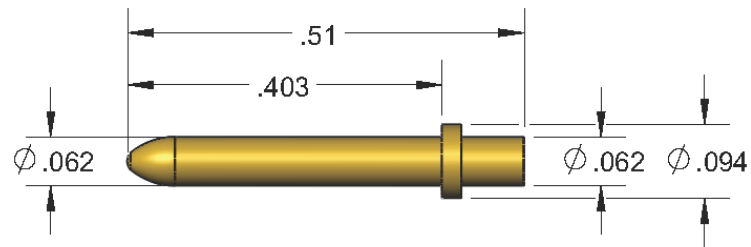
CRIMP

TPC6200



BUTT SOLDER

TPT6200



**OTHER TERMINATION STYLES AVAILABLE.
CONTACT FACTORY FOR AVAILABILITY.**