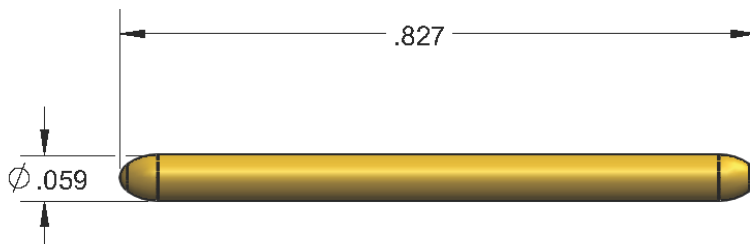


5900 SERIES PIN - Ø1.50 mm (0.059)

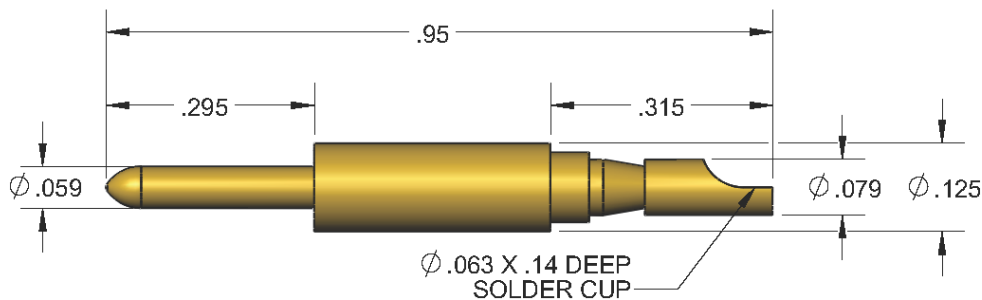
DIP SOLDER

TPD5911



SOLDER CUP

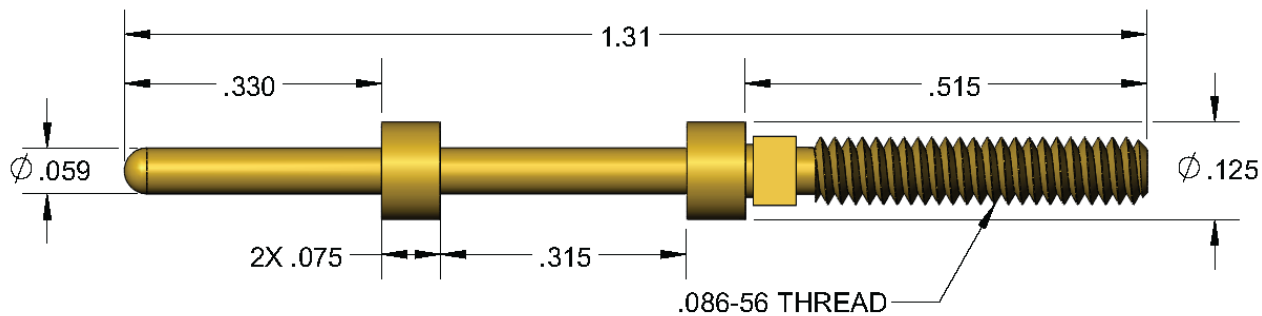
TPS5900



Accepts up to 16 AWG Wire

THREADED

TPT5900



OTHER TERMINATION STYLES AVAILABLE.  
CONTACT FACTORY FOR AVAILABILITY.