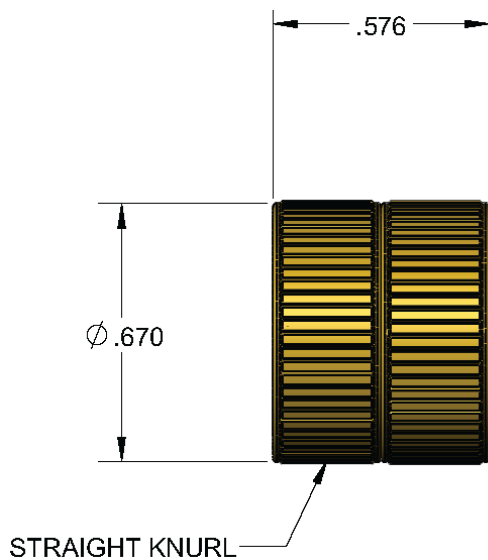


5000 SERIES SOCKET- ACCEPTS Ø0.500 (12.7mm) MATING PIN

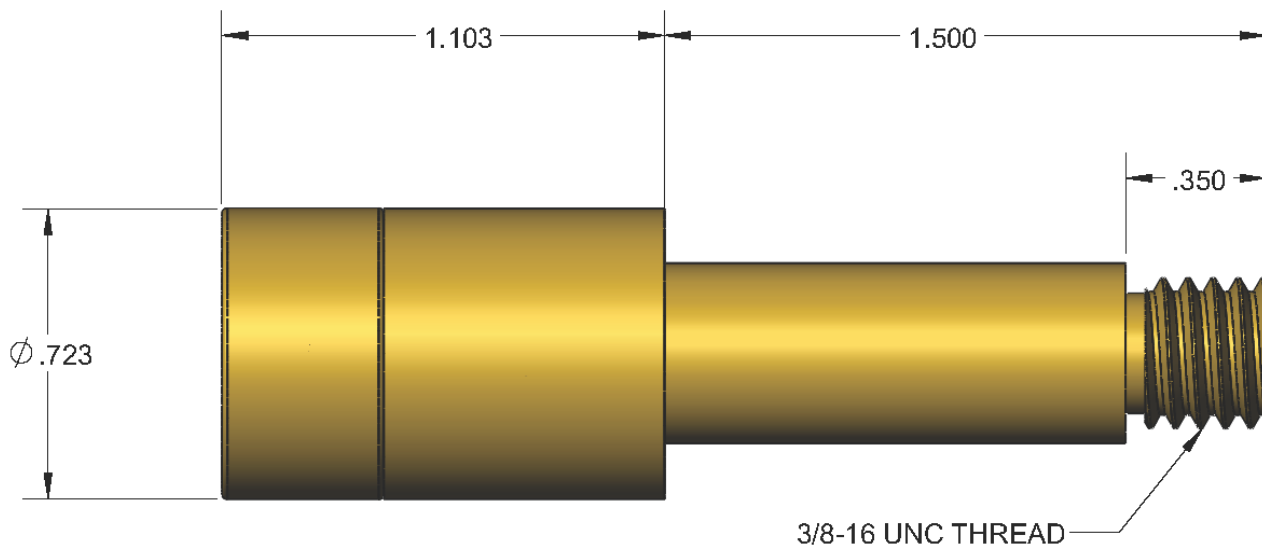
PASS THRU

HSR5001-1



THREADED

HST5000-1



OTHER TERMINATION STYLES AVAILABLE.
CONTACT FACTORY FOR AVAILABILITY.