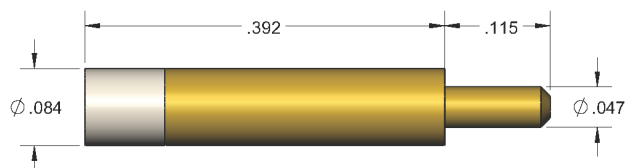


4000 SERIES SOCKET- ACCEPTS Ø0.040 (1 mm) MATING PIN

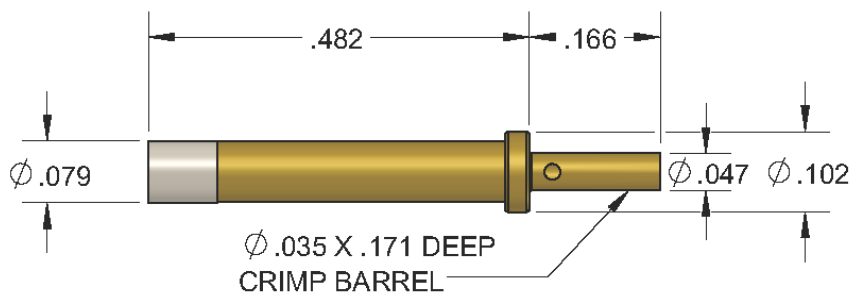
DIP SOLDER

HSD4030-2



CRIMP

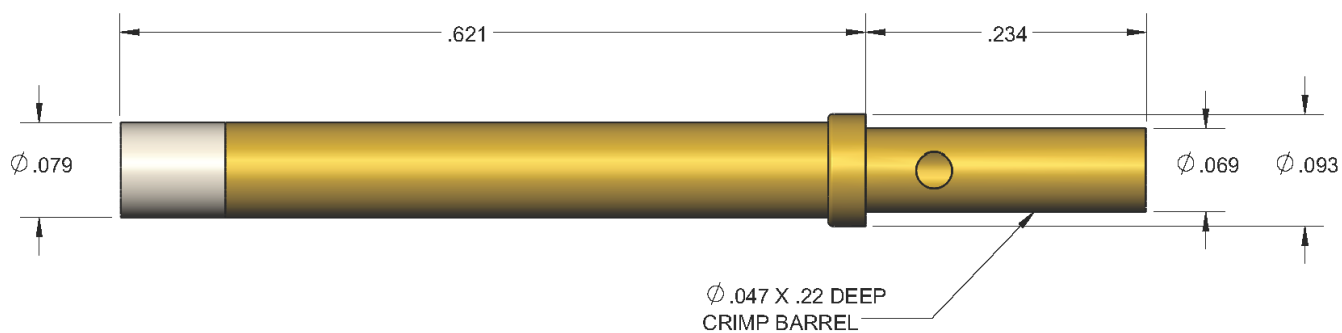
HSC4003-115M



Accepts 24-26 AWG Wire

CRIMP

HSC4003-351 (PER SAE-AS39029/56-351)



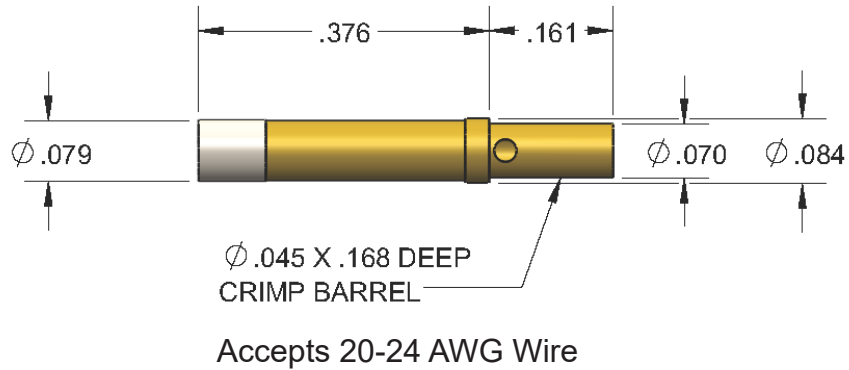
Accepts 20-24 AWG Wire

OTHER TERMINATION STYLES AVAILABLE.
CONTACT FACTORY FOR AVAILABILITY.

4000 SERIES SOCKET-ACCEPTS Ø0.040 (1 mm) MATING PIN

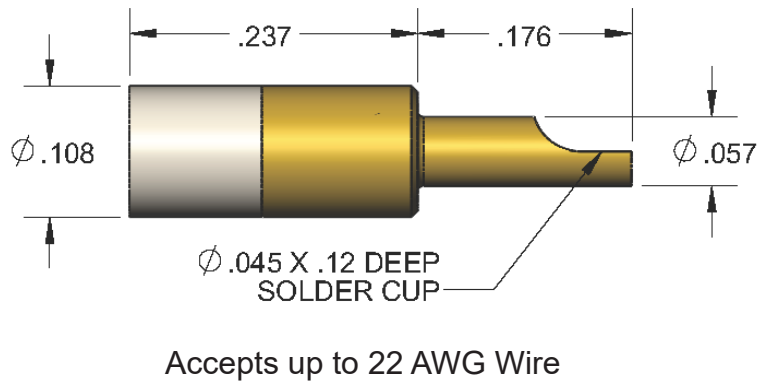
CRIMP

HSC4003-368 (PER SAE-AS39029/63-368)



SOLDER CUP

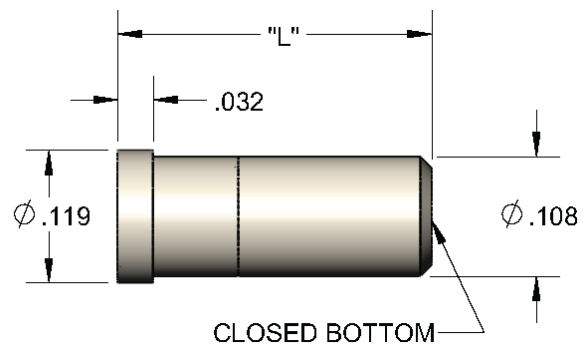
HSS4000-5



PWB

PART NO.	"L"
HSR4000-1	.285
HSR4000-3	.358

Note: Tin-Lead Plated



OTHER TERMINATION STYLES AVAILABLE.
CONTACT FACTORY FOR AVAILABILITY.