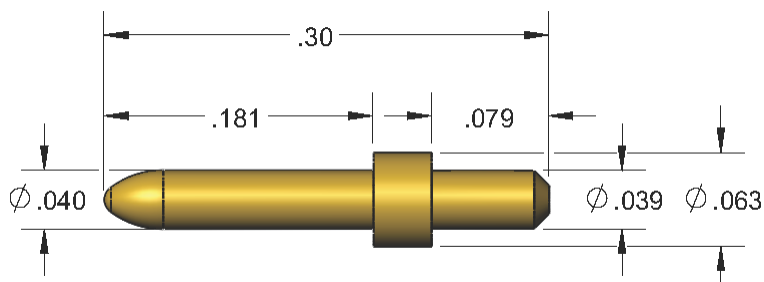


4000 SERIES PIN - Ø0.040 (1 mm)

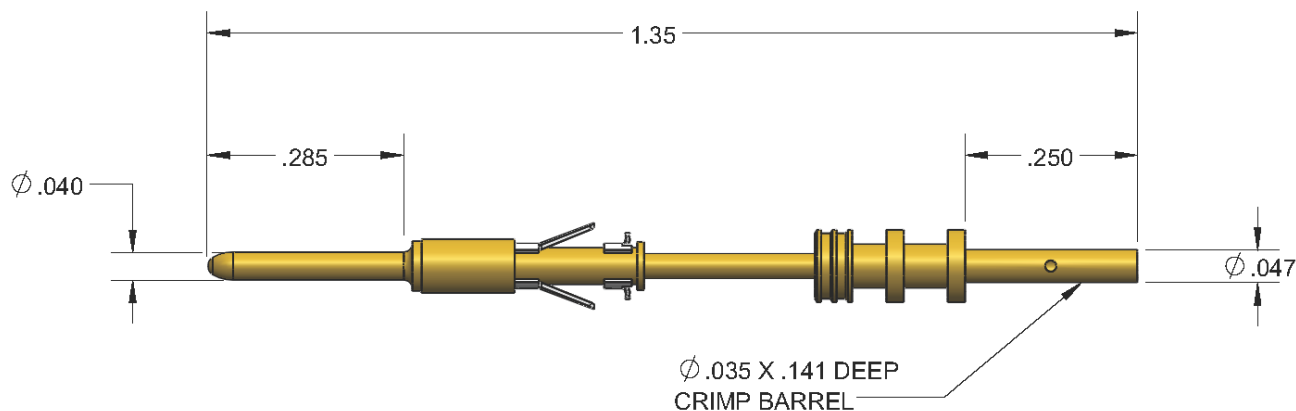
DIP SOLDER

TPD4021



CRIMP

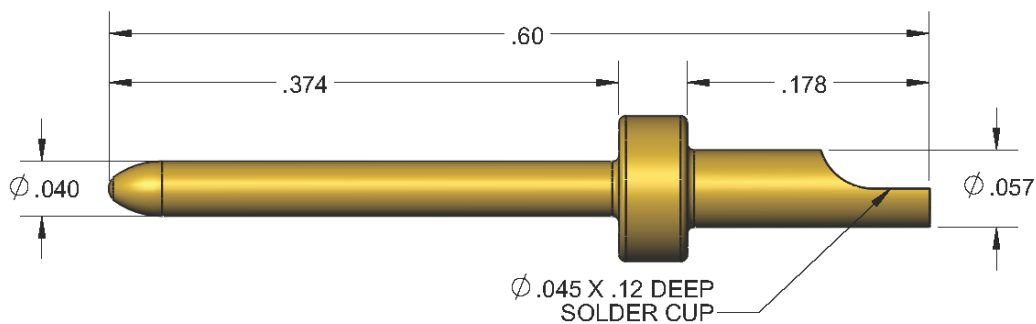
TPC4000



Accepts 22-28 AWG Wire

SOLDER CUP

TPS4010



Accepts up to 20 AWG Wire

**OTHER TERMINATION STYLES AVAILABLE.
CONTACT FACTORY FOR AVAILABILITY.**