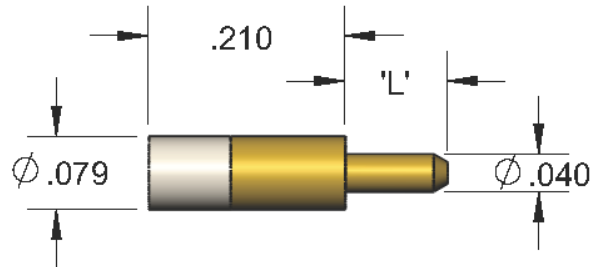


3000 SERIES SOCKET-ACCEPTS Ø0.030 (0.76 mm) MATING PIN

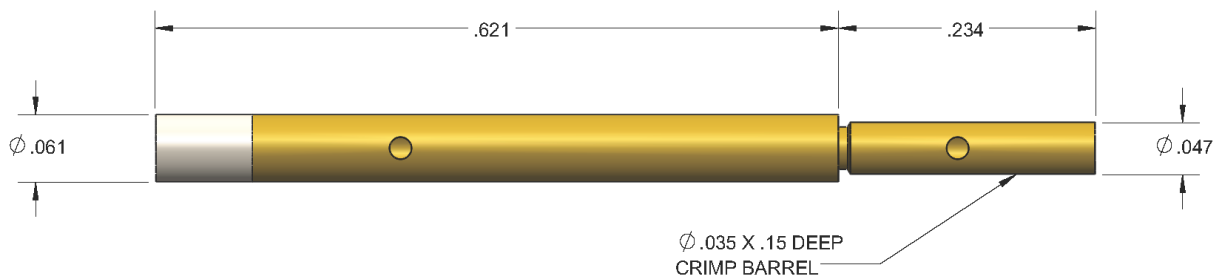
DIP SOLDER

PART NO.	"L"
HSD3002-1	.110
HSD3002-2	.140
HSD3002-3	.160
HSD3002-7	.200



CRIMP

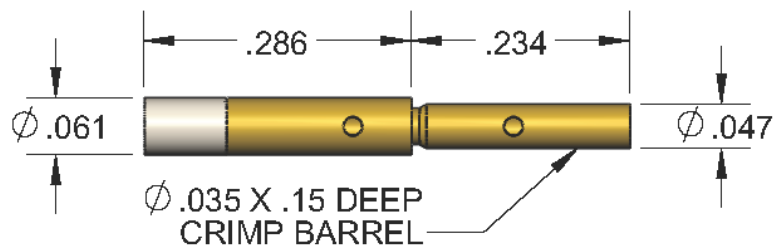
HSC3003-348 (PER SAE-AS39029/56-348)



Accepts 22-28 AWG Wire

CRIMP

HSC3003-354 (PER SAE-AS39029/57-354)



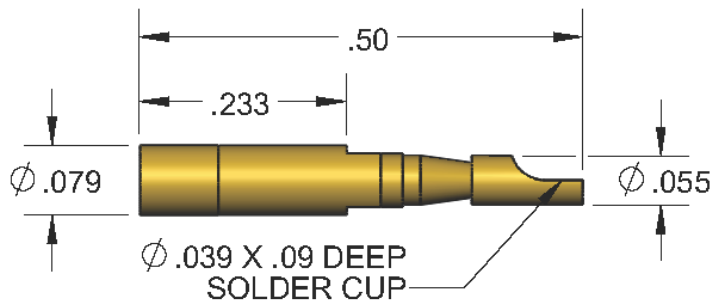
Accepts 22-28 AWG Wire

OTHER TERMINATION STYLES AVAILABLE.
CONTACT FACTORY FOR AVAILABILITY.

3000 SERIES SOCKET- ACCEPTS Ø0.030 (0.76 mm) MATING PIN

SOLDER CUP

HSS3030-2

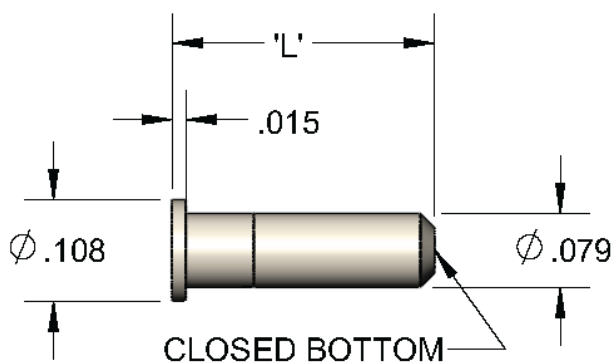


Accepts up to 22 AWG Wire

PWB

PART NO.	'L'
HSR3000-1	.28
HSR3000-2	.21

Note: Tin-Lead Plated



OTHER TERMINATION STYLES AVAILABLE.
CONTACT FACTORY FOR AVAILABILITY.