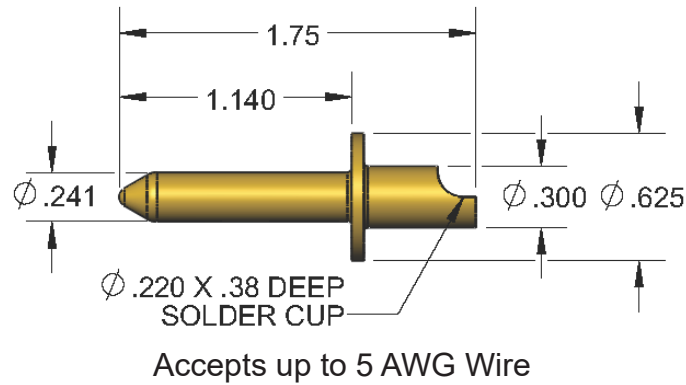


2541 SERIES PIN - Ø6.12mm (0.241)

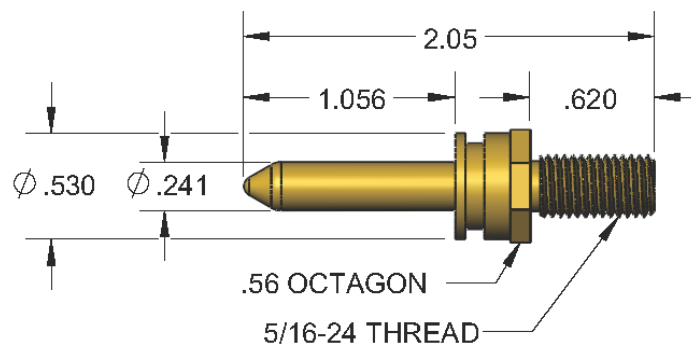
SOLDER CUP

TPS2541



THREADED

TPT2541



**OTHER TERMINATION STYLES AVAILABLE.
CONTACT FACTORY FOR AVAILABILITY.**