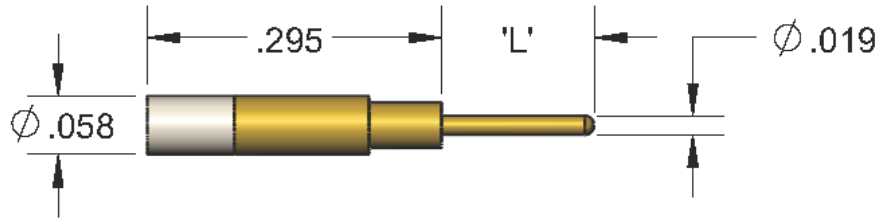


2300 SERIES SOCKET-ACCEPTS Ø0.60 mm (0.023) MATING PIN

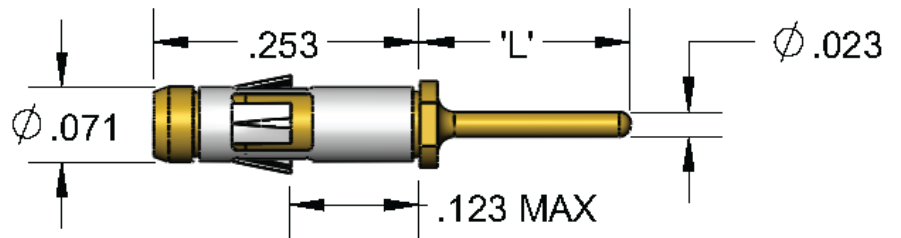
DIP SOLDER

PART NO.	'L'
HSD2301-35	.156
HSD2301-45	.129
HSD2301-51	.113
HSD2301-52	.185
HSD2301-63	.229
HSD2301-64	.429
HSD2301-82	.292



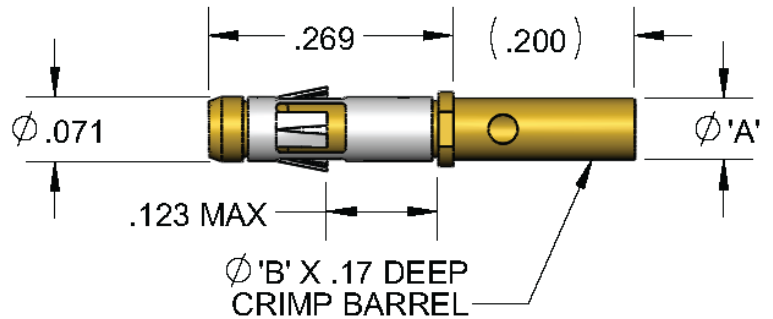
DIP SOLDER

PART NO.	'L'
HSD2306-5	.222
HSD2306-6	.260



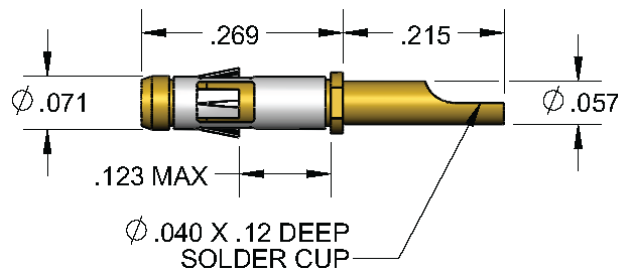
CRIMP

PART NO.	'A'	'B'	AWG Wire
HSC2306-1	.072	.058	20
HSC2306-1A	.067	.048	20
HSC2306-1B	.051	.035	22-26



SOLDER CUP

HSS2306-1



Accepts Up To 22 AWG Wire

OTHER TERMINATION
STYLES AVAILABLE.
CONTACT FACTORY
FOR AVAILABILITY.