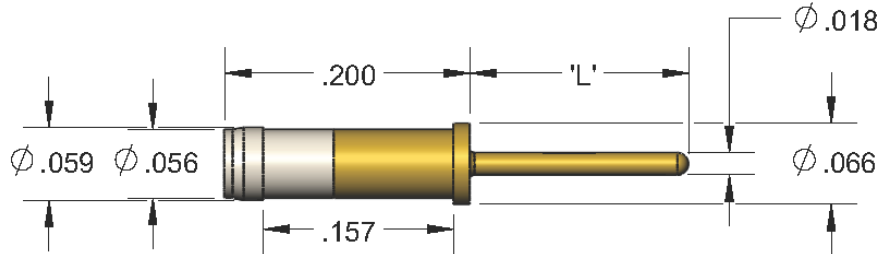


1800 SERIES SOCKET - ACCEPTS Ø0.45 mm (0.018) MATING PIN

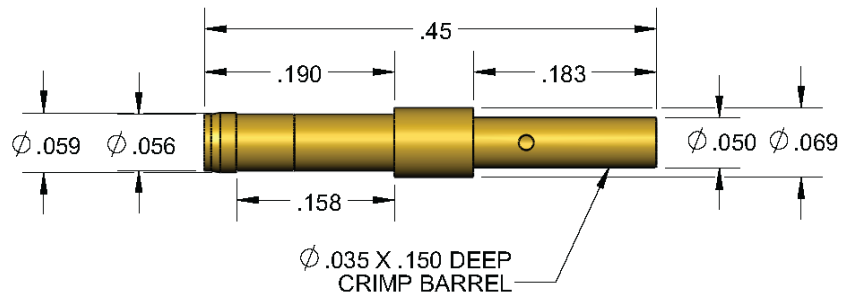
DIP SOLDER

PART NO.	'L'
HSD1800-1	.180
HSD1800-5	.135
HSD1800-6A	.175
HSD1800-13	.166



CRIMP

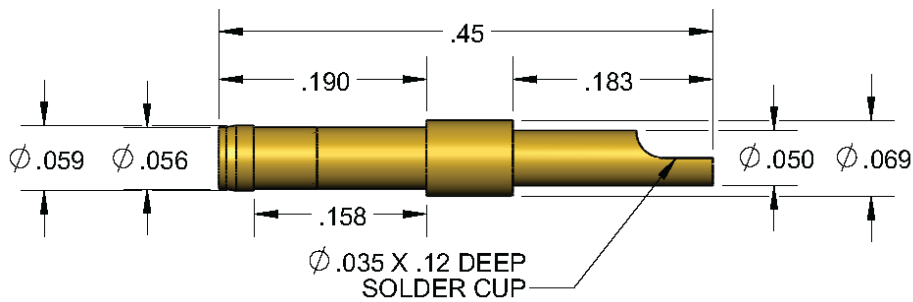
HSC1800-1



Accepts 22-26 AWG Wire

SOLDER CUP

HSS1800-1

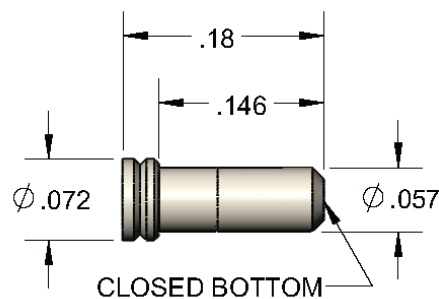


Accepts Up To 22 AWG Wire

PWB

HSR1800-1

Note: Tin-Lead Plated



OTHER TERMINATION
STYLES AVAILABLE.
CONTACT FACTORY FOR
AVAILABILITY.