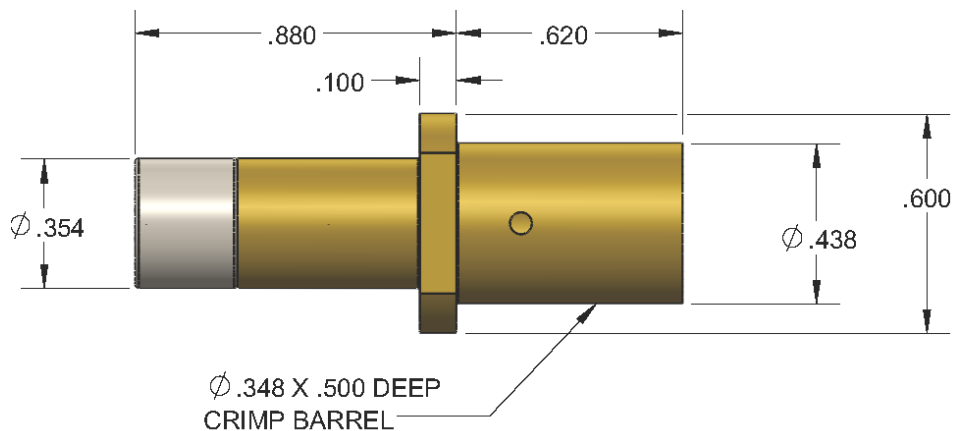


1690 SERIES SOCKET- ACCEPTS Ø4.30mm (0.169) MATING PIN

CRIMP

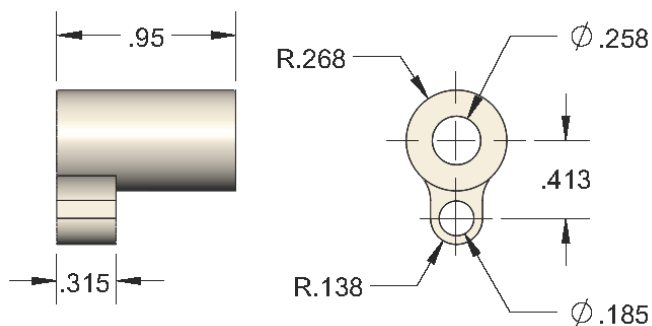
HSC1690-1



Accepts 2 AWG Wire

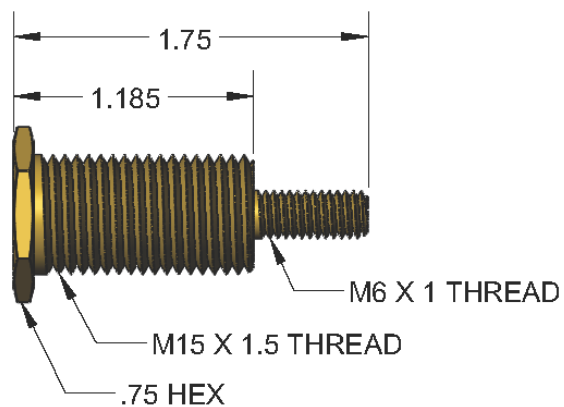
PASS THRU

HSS1690-1



THREADED

HST1690-1



OTHER TERMINATION
STYLES AVAILABLE.
CONTACT FACTORY FOR
AVAILABILITY.