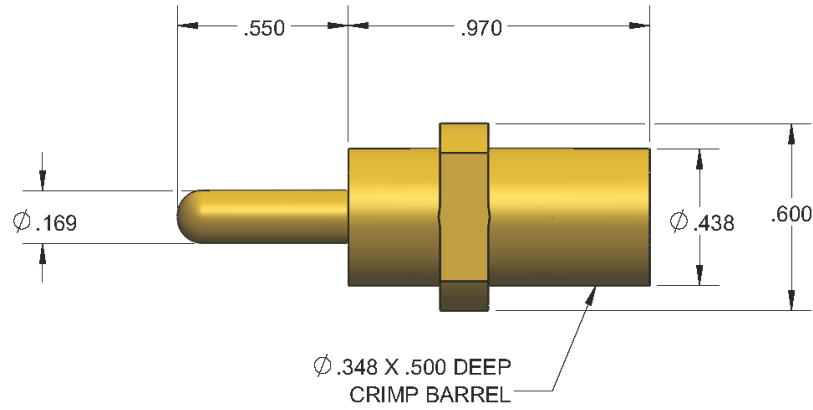


1690 SERIES PIN - Ø4.30mm (0.169)

CRIMP

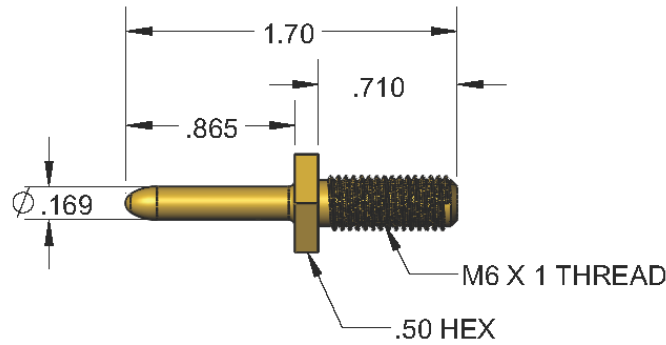
TPC1690



Accepts 2 AWG Wire

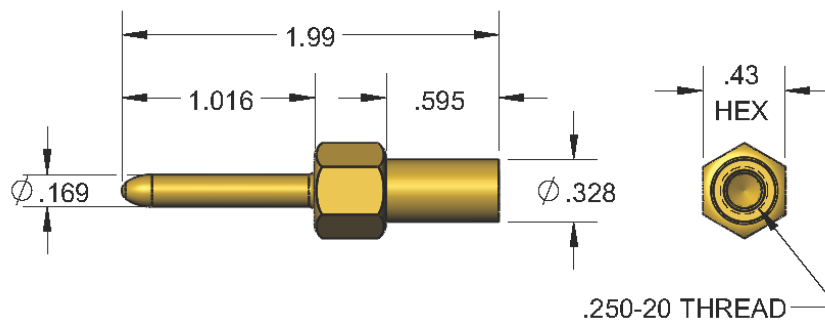
THREADED

TPT1691



THREADED

TPT1693



**OTHER TERMINATION STYLES AVAILABLE.
CONTACT FACTORY FOR AVAILABILITY.**