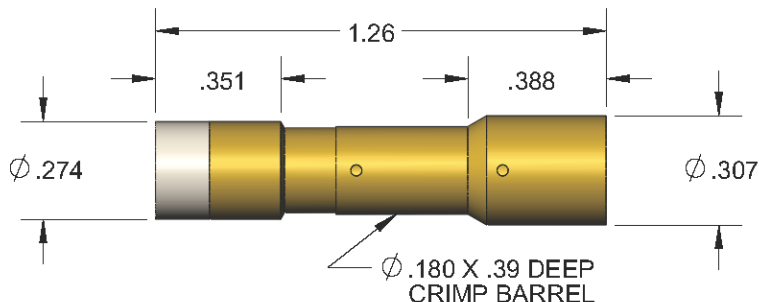


1380 SERIES SOCKET- ACCEPTS Ø3.50 mm (0.138) MATING PIN

CRIMP

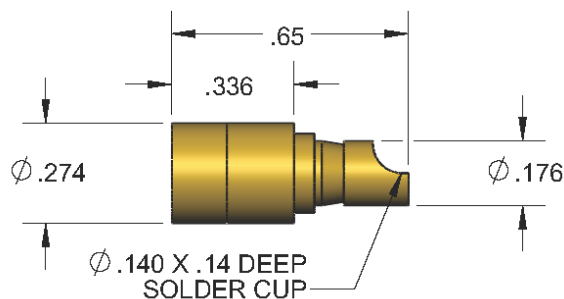
HSC1380-2



Accepts 8-10 AWG Wire

SOLDER CUP

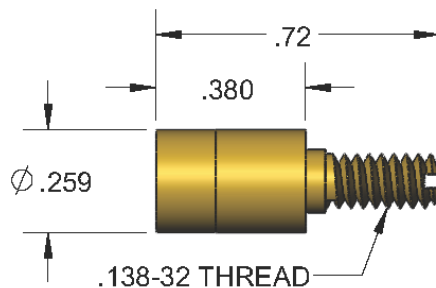
HSS1380-1D



Accepts up to 10 AWG Wire

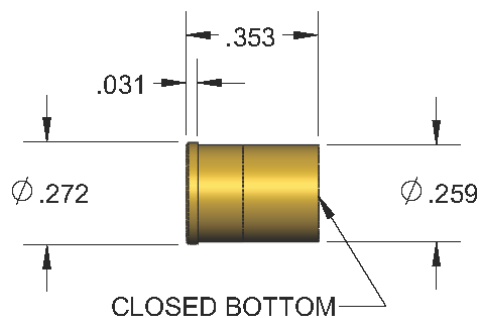
THREADED

HST1380-2A



PWB

HSR1380-1

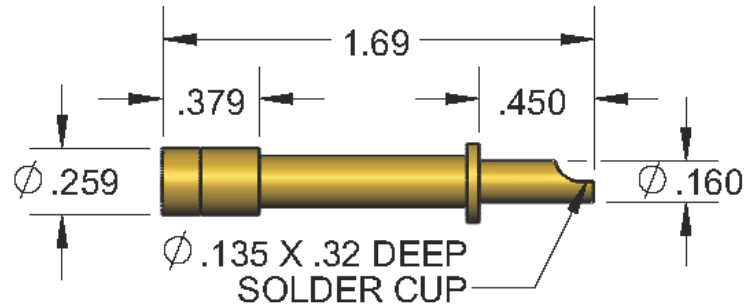


OTHER TERMINATION
STYLES AVAILABLE.
CONTACT FACTORY FOR
AVAILABILITY.

1380 SERIES SOCKET-ACCEPTS Ø3.50 mm (0.138) MATING PIN

SOLDER CUP

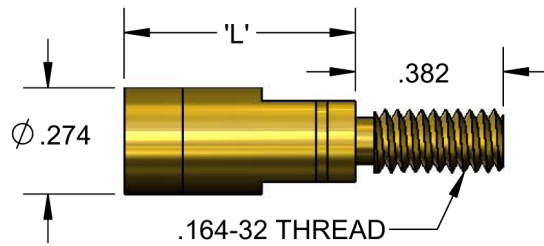
HSS1380-7



Accepts up to 10 AWG Wire

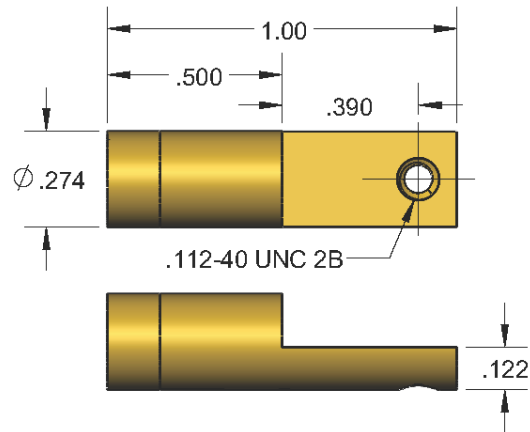
THREADED

PART NO.	'L'
HST1385-1	.60
HST1385-2	.95



LUG MOUNT

HST1386-1



OTHER TERMINATION STYLES AVAILABLE.
CONTACT FACTORY FOR AVAILABILITY.