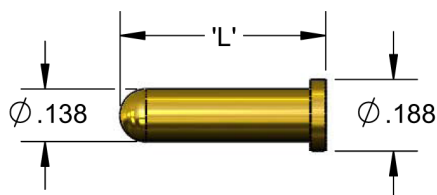


1380 SERIES PIN - Ø3.50 mm (0.138)

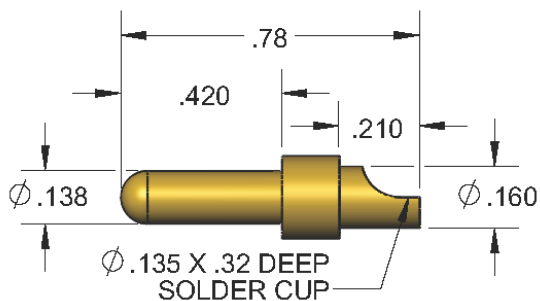
BUTT SOLDER

PART NO.	'L'
TPD1381	.54
TPD1382	.84



SOLDER CUP

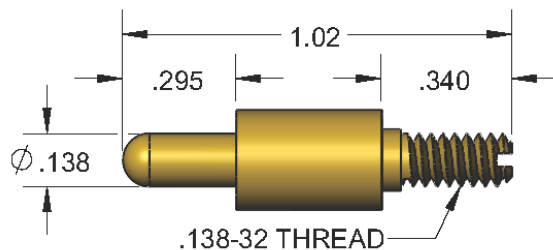
TPS1381



Accepts up to 10 AWG Wire

THREADED

TPT1380



OTHER TERMINATION  
STYLES AVAILABLE.  
CONTACT FACTORY FOR  
AVAILABILITY.