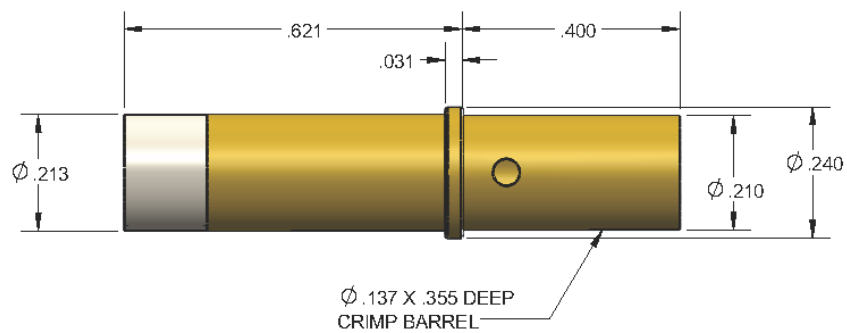


1250 SERIES SOCKET - ACCEPTS Ø0.125 (3.18 mm) MATING PIN

CRIMP

HSC1250-527 (PER SAE-AS39029/56-527)



Accepts 10 AWG Wire

OTHER TERMINATION STYLES AVAILABLE.
CONTACT FACTORY FOR AVAILABILITY.