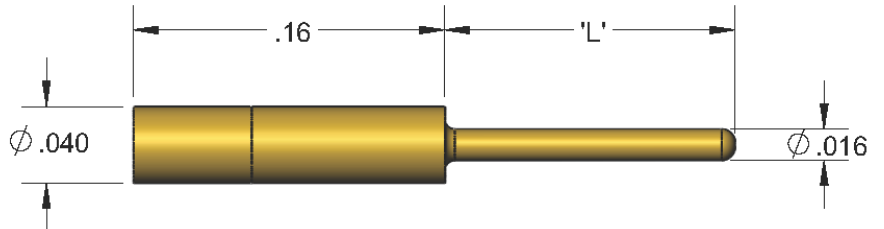


1200 SERIES SOCKET- ACCEPTS Ø0.30 mm (0.012) MATING PIN

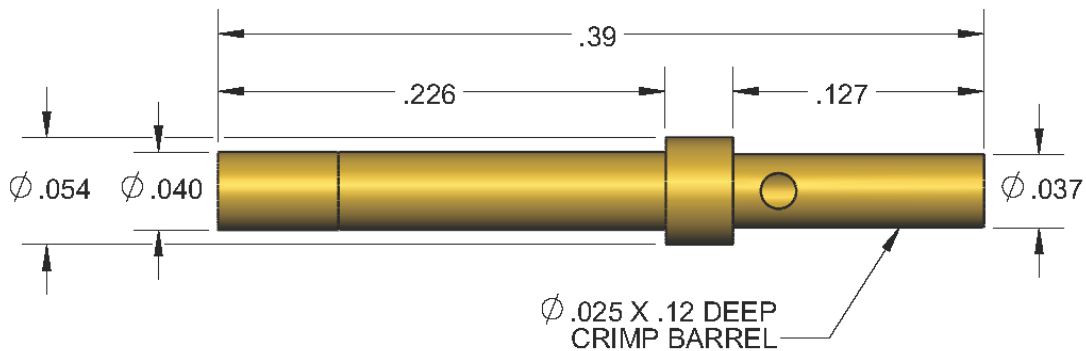
DIP SOLDER

PART NO.	'L'
HSD1200-1	1.065
HSD1200-2	0.958
HSD1200-3	0.774
HSD1200-4	0.682
HSD1200-5	0.496
HSD1200-6	0.404



CRIMP

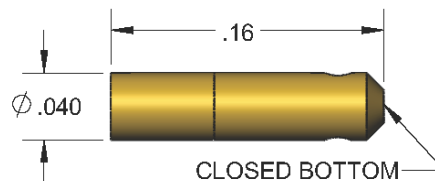
HSC1200-1



Accepts 26-28 AWG Wire

PWB

HSR1200-1



OTHER TERMINATION STYLES AVAILABLE.
CONTACT FACTORY FOR AVAILABILITY.