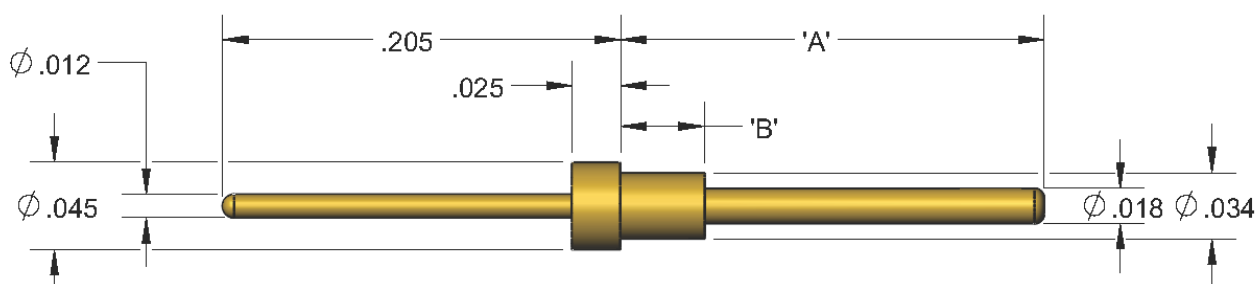


1200 SERIES PIN - Ø0.30 mm (0.012)

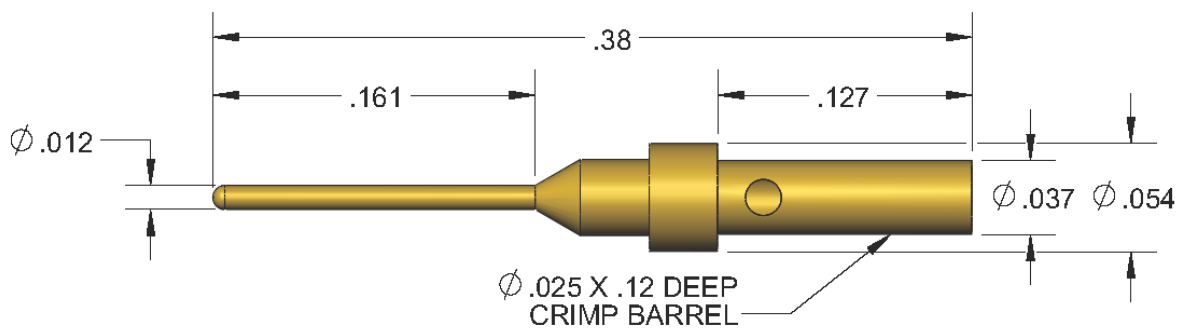
DIP SOLDER

PART NO.	'A'	'B'
TPD1200	.218	.043
TPD1201	.650	.028



CRIMP

TPC1200



Accepts 26-28 AWG Wire

OTHER TERMINATION STYLES AVAILABLE.
CONTACT FACTORY FOR AVAILABILITY.