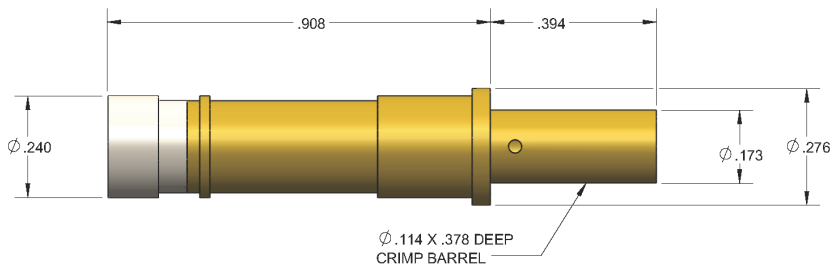


1180 SERIES SOCKET - ACCEPTS Ø3.00 mm (0.118) MATING PIN

CRIMP

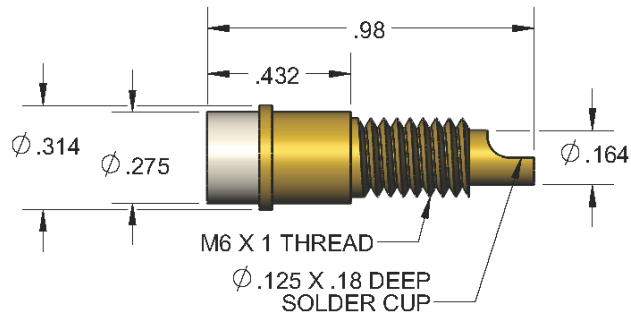
HSC1180-1



Accepts 12-14 AWG Wire

SOLDER CUP

HSS1180-3



Accepts up to 12 AWG Wire

OTHER TERMINATION STYLES AVAILABLE.
CONTACT FACTORY FOR AVAILABILITY.